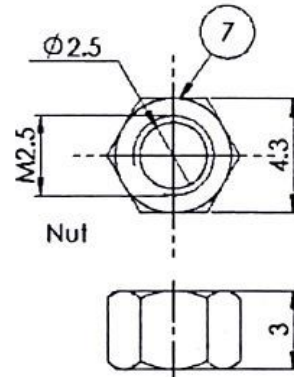
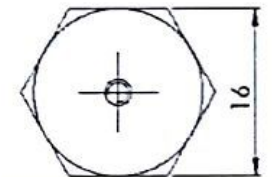
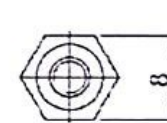
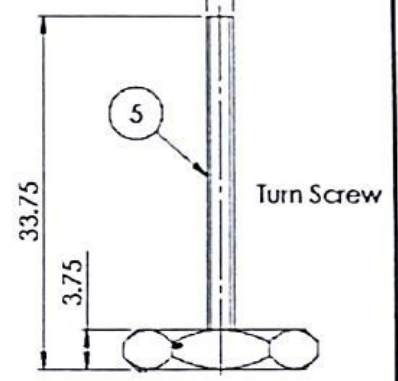
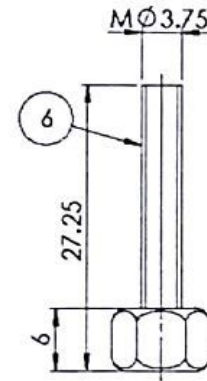
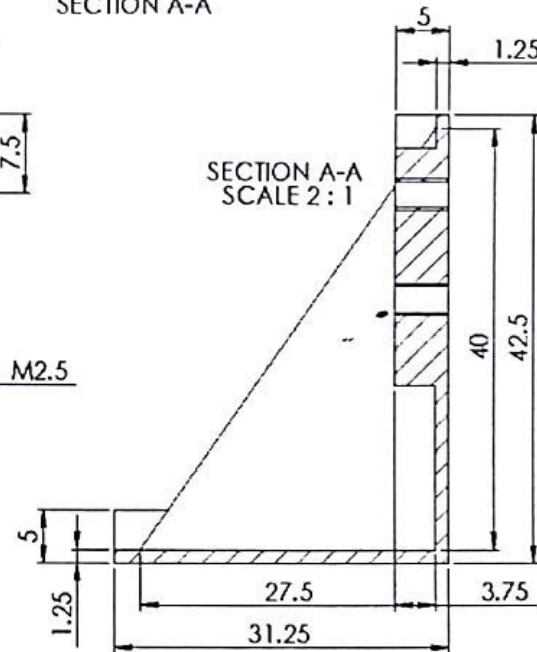
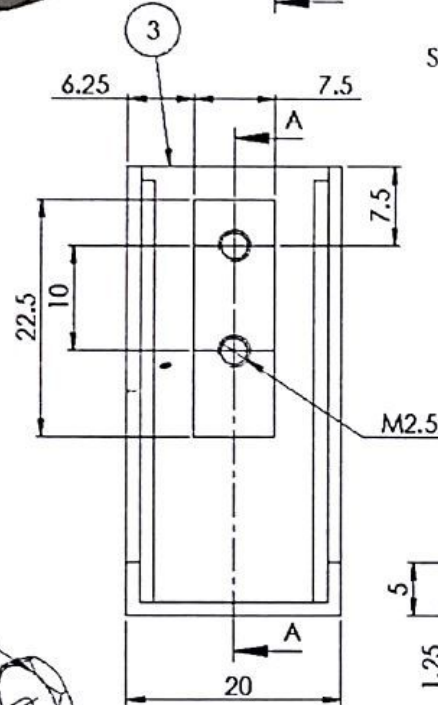
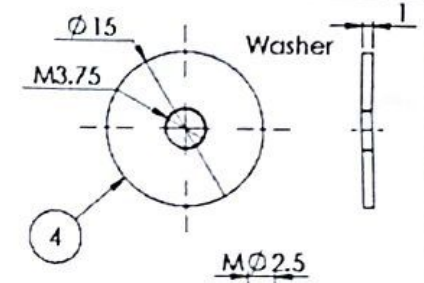
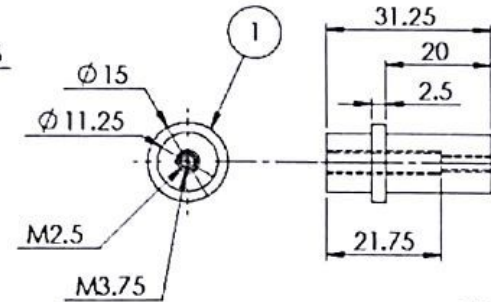
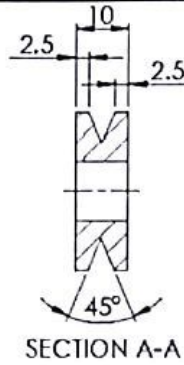
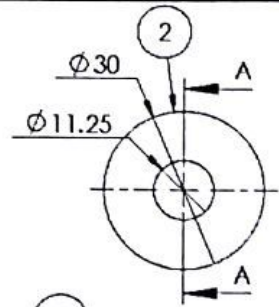
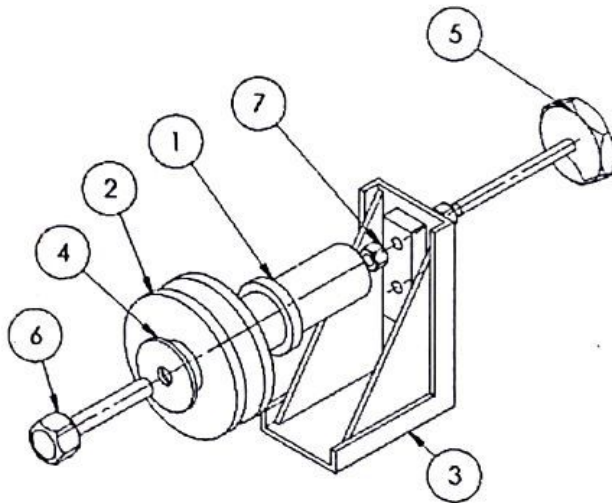
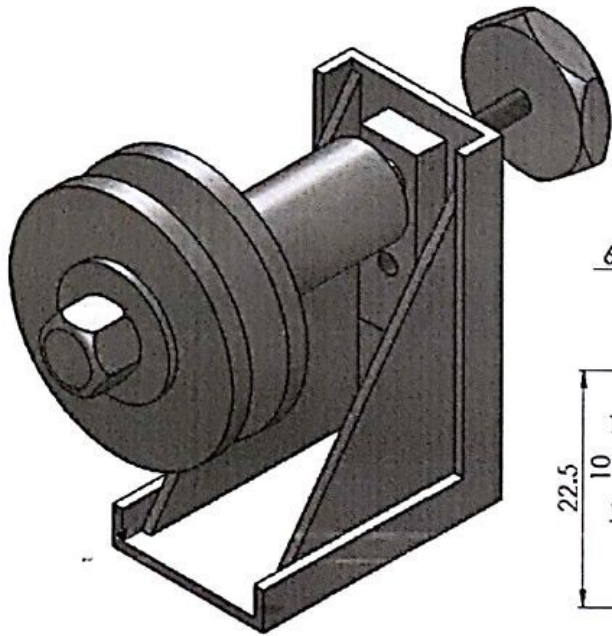
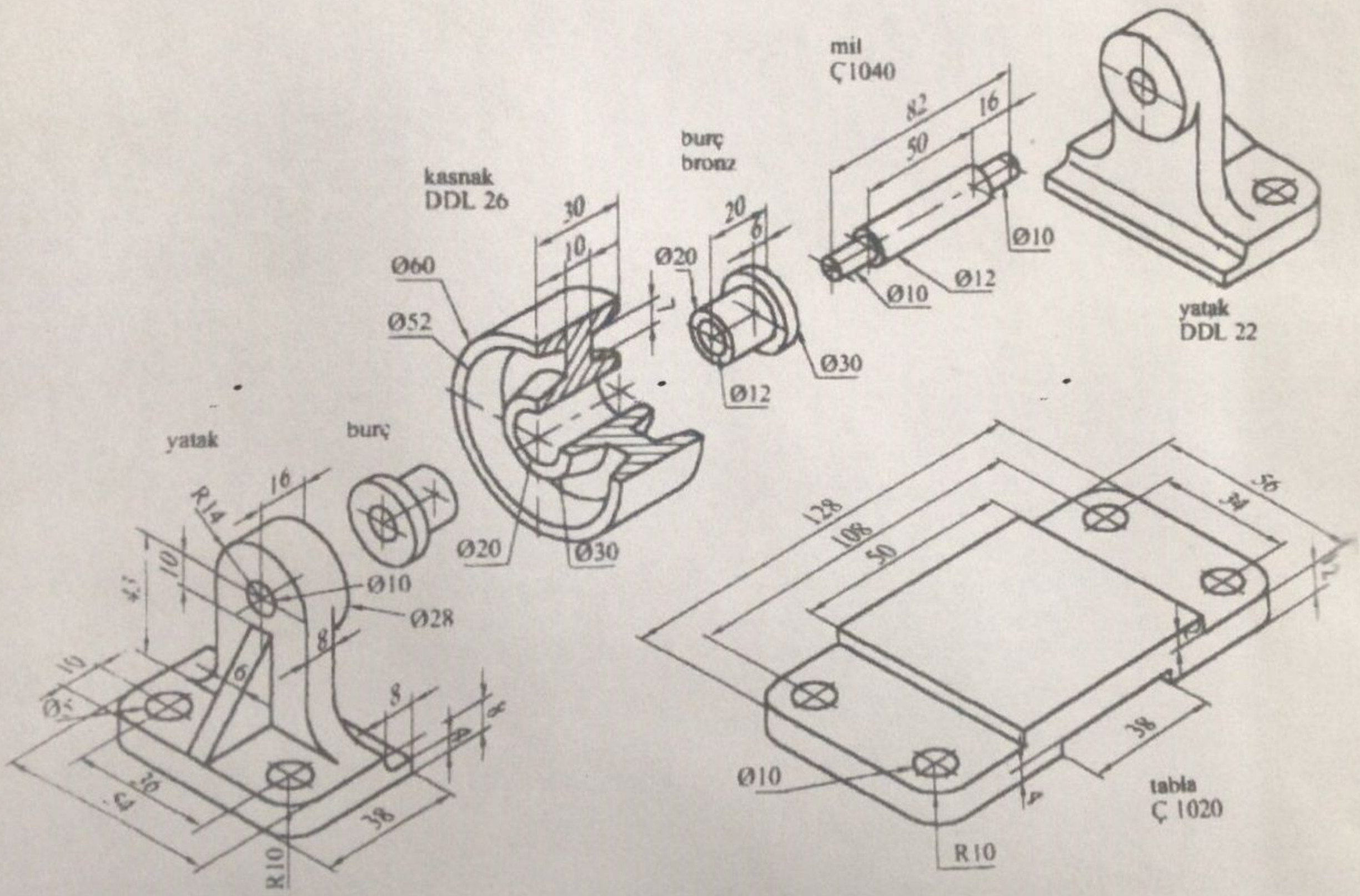


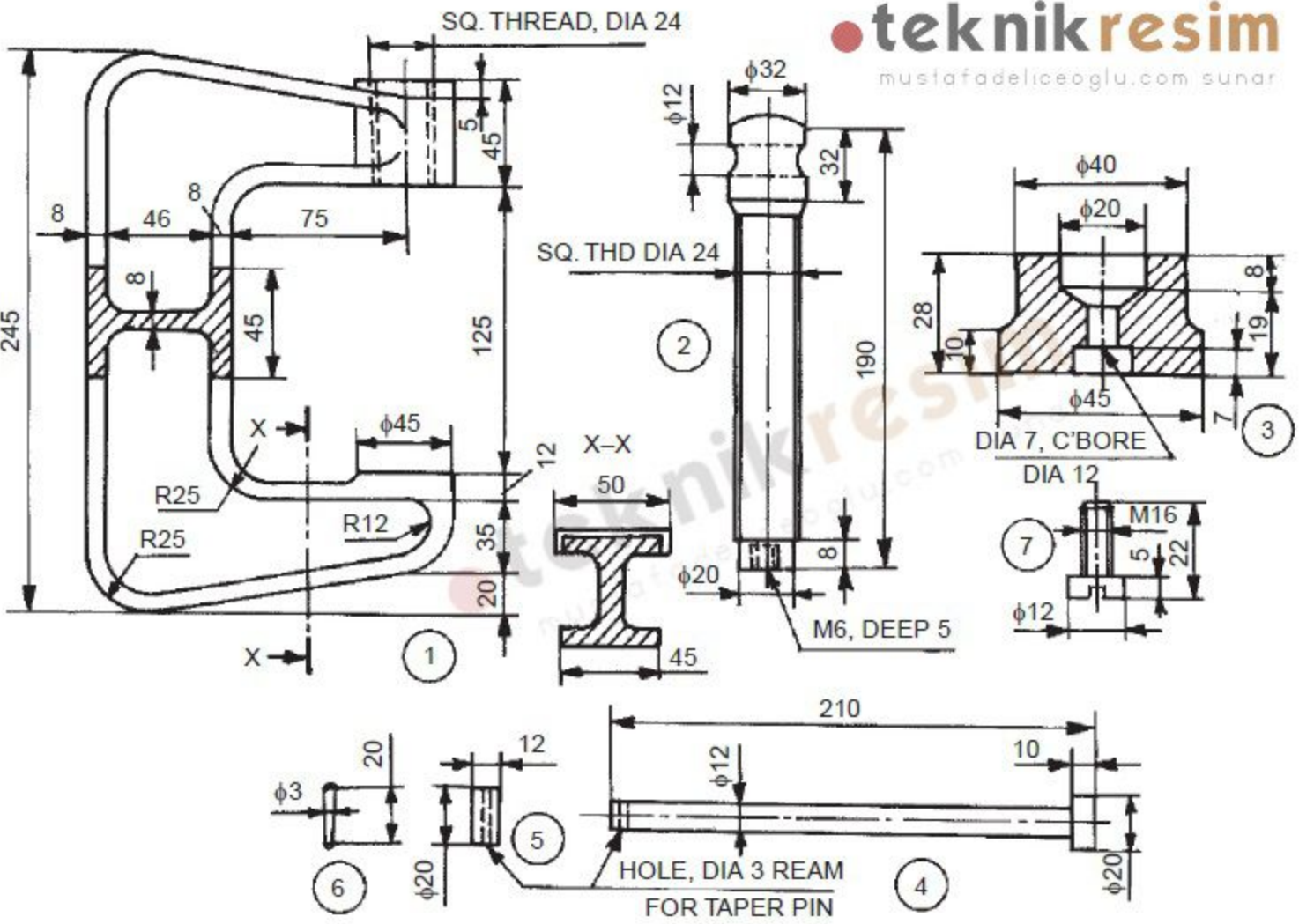
Pulley Support

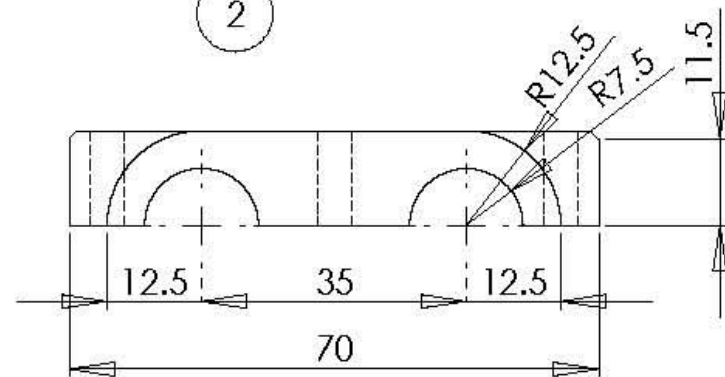
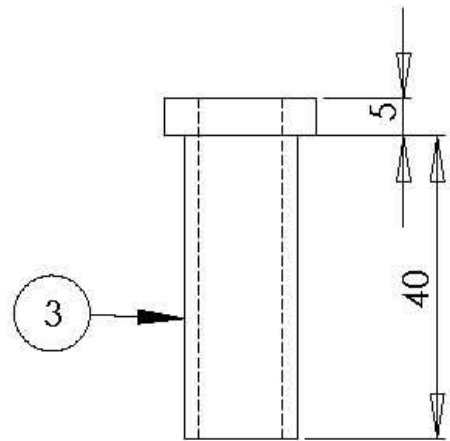
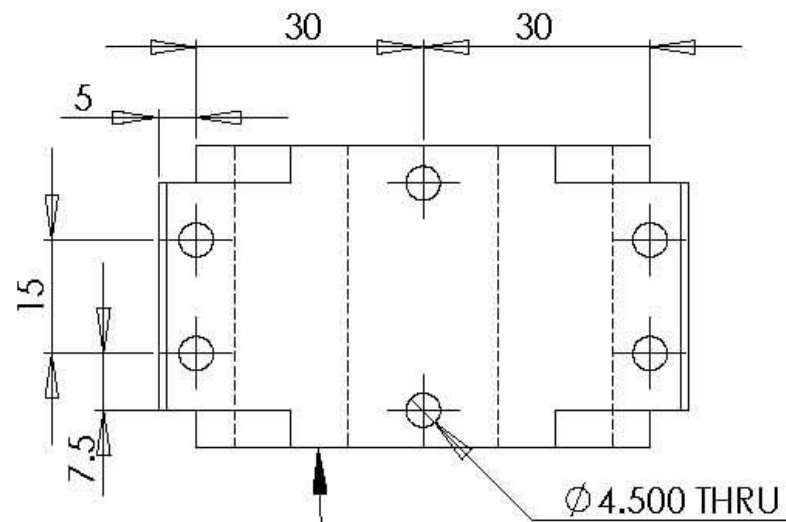
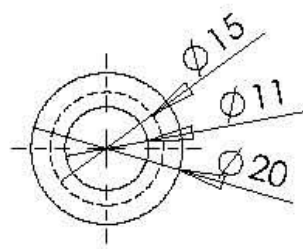
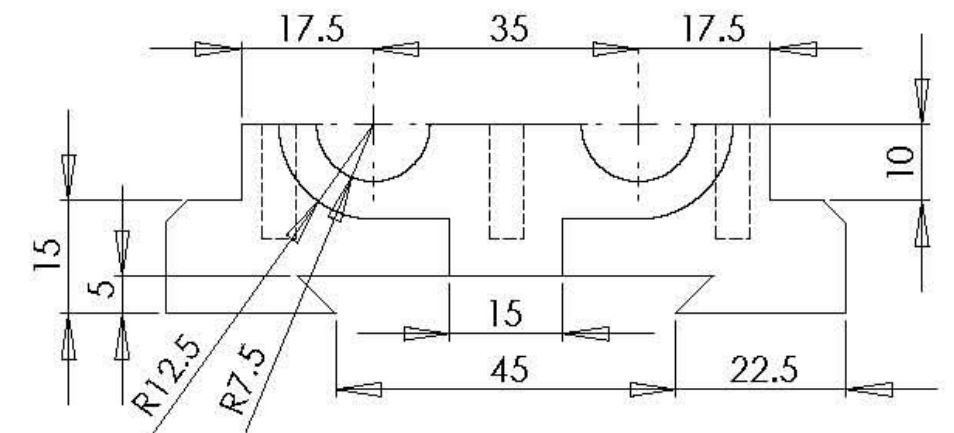
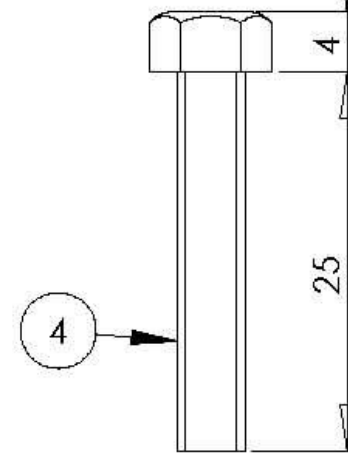
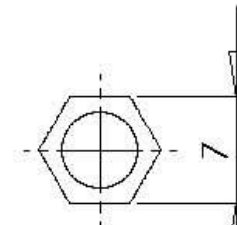
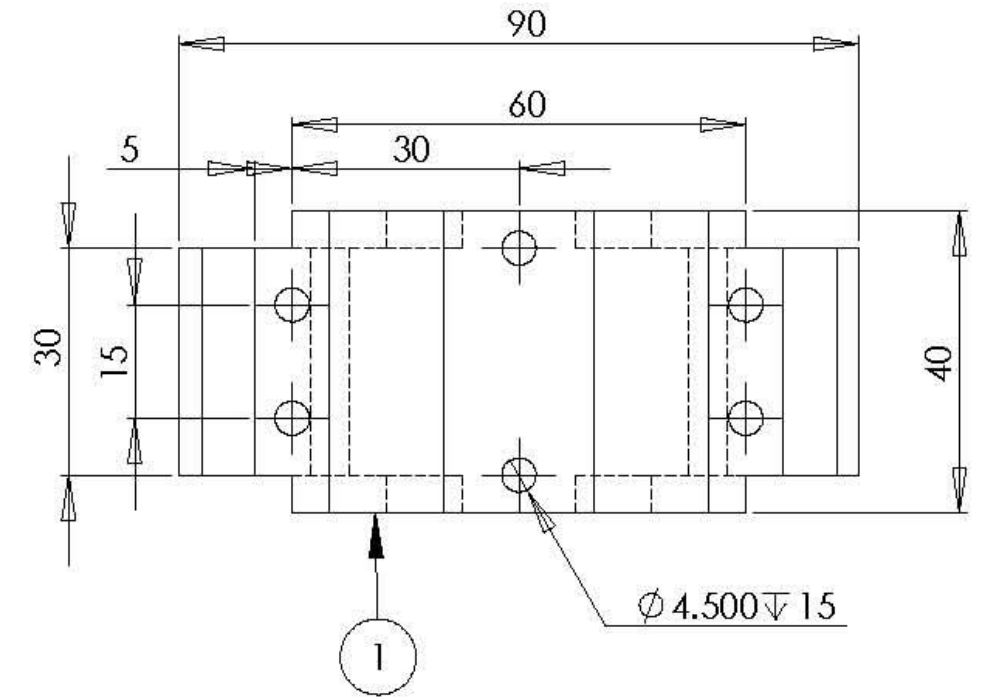
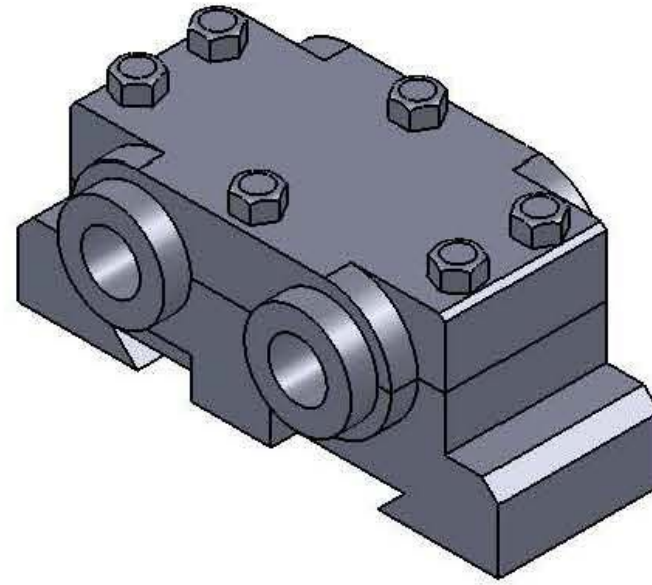
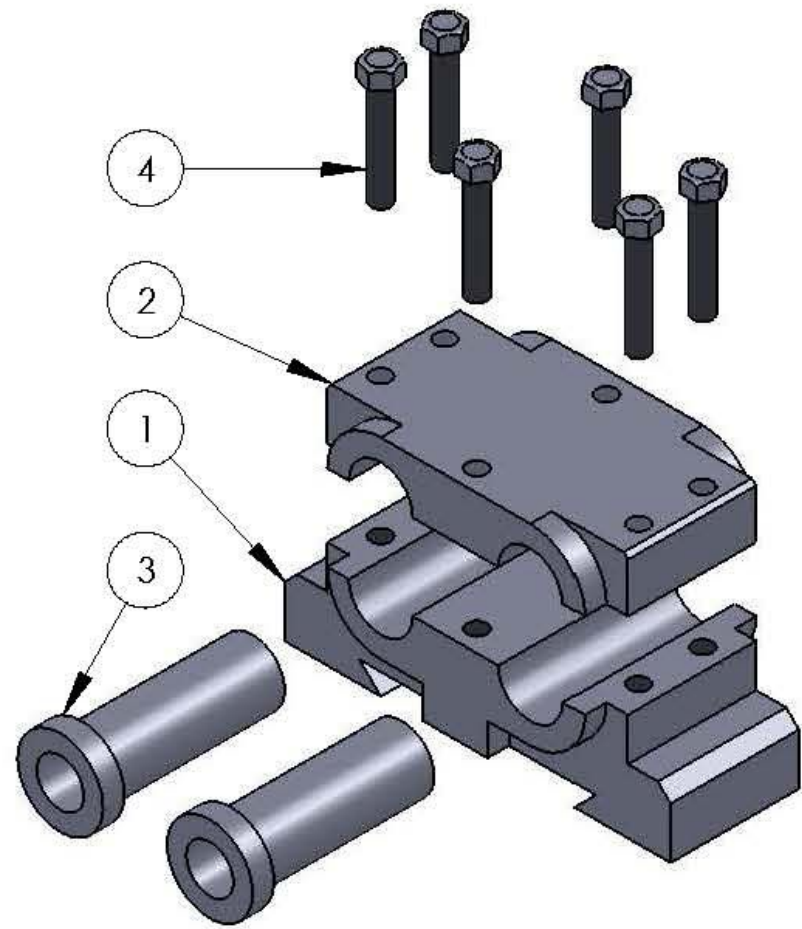


ITEM NO.	QTY.	PART NUMBER	DESCRIPTION
1	1	P-001	Bushing
2	1	P-002	Pulley
3	1	P-003	Bracket
4	1	P-004	Washer
5	1	P-005	Turn Screw
6	1	P-006	Cap Screw
7	2	P-007	Nut

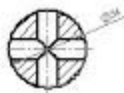
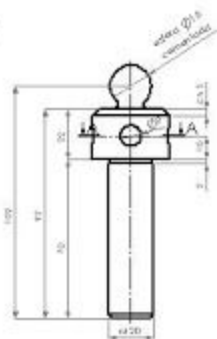
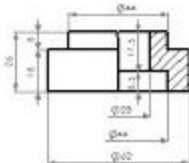
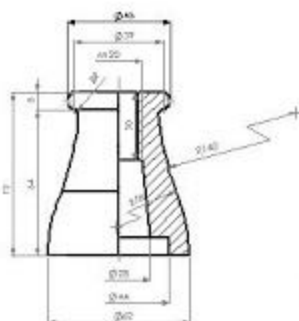
UNLESS OTHERWISE SPECIFIED: DIMENSIONS ARE IN MILLIMETERS SURFACE FINISH: TOLERANCES: LINEAR: ANGULAR:			RISK	DEBUR AND REMOVE SHARP EDGES	DO NOT SCALE DRAWING	REVISION
DRAWN	NAME	SIGNATURE	DATE		S-Technology, Inc. Krizia Bldg. Gorardo Ave Cebu City, Cebu Philippines 6000	
CHECKED						
APPROVED						
MFG						
Q.A.						
				MATERIAL	DWG NO.	A3
				WEIGHT	SCALE: 1:1	SHEET 1 OF 1



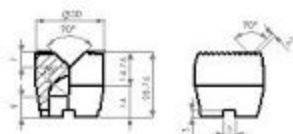
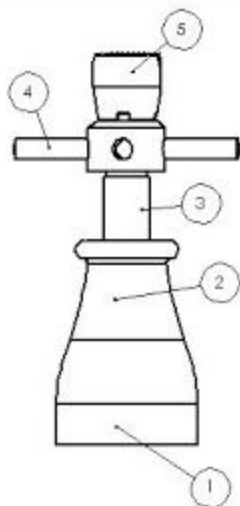




UNLESS OTHERWISE SPECIFIED: DIMENSIONS ARE IN MILLIMETERS SURFACE FINISH: TOLERANCES: LINEAR: ANGULAR:				FINISH:		DEBUR AND BREAK SHARP EDGES		DO NOT SCALE DRAWING		REVISION	
DRAWN	NAME	SIGNATURE	DATE					<p align="center">S-Technology, Inc. Krizia Bldg. Gorordo Ave. Cebu City, Cebu Philippines 6000</p>			
CHK'D											
APP'VD											
MFG											
Q.A.											
					MATERIAL:			DWG NO.:		A3	
					WEIGHT:			SCALE: 1:1		SHEET 1 OF 1	



SICAO A-A



ITEM NO.	PART NUMBER	QTY.
1	Suplemento	1
2	Corpo	1
3	Parafuso	1
4	Manipulo	1
5	Chapéu	1

